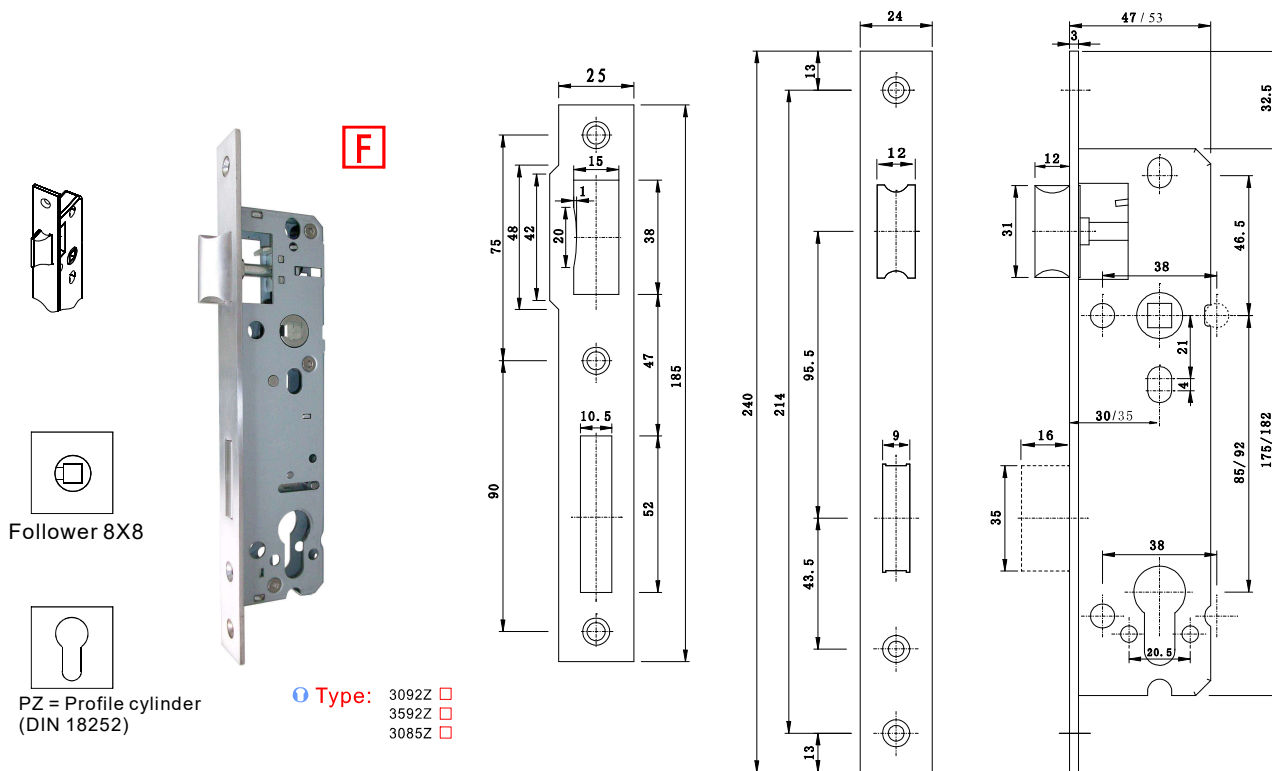


钢制型材门锁体

Steel profile door lock body

Standard lock

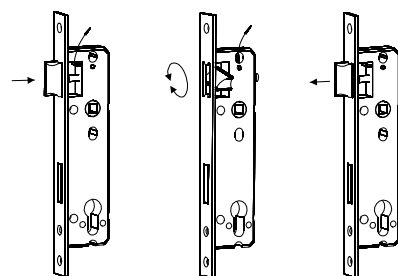
Mortise lock reversible



BEIJING HSK TECHNOLOGY CO.,LTD
 www.hsklock.com Email: info@houselock.com.cn TEL: 0086-10-85386092

Features

- ① According to DIN 18.251-2 class 3
- ① For steel doors
- ① Optional for non-rebated doors
- ① Suitable for fire and smoke protection doors
- ① Prepared for profile cylinders
- ① With key action
- ① Deadbolt 1-turn



Reverse left/right hand

Technical data

- ① Follower 8X8mm
- ① Distance 85mm 92mm
- ① Backset 30mm

Forend

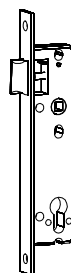
- ① Type square ends
- ① Thickness 3mm
- ① Width 22mm 24mm

Forend finish

- ① Stainless steel SSS PSS PVD

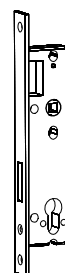
Accessories

- ① Striking plate
- ① Pocket
- ① fixing screws



Type:

- 3092ZL
- 3592ZL
- 3085ZL



Type:

- 3092ZD
- 3592ZD
- 3085ZD



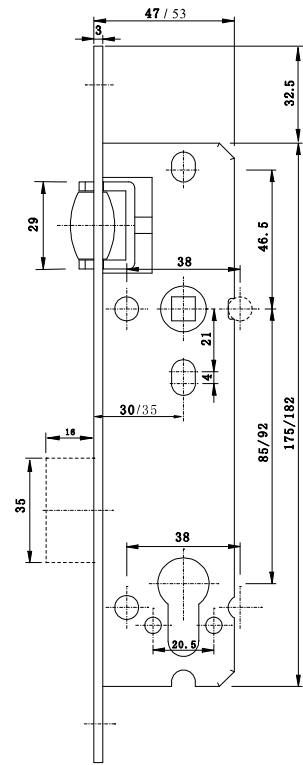
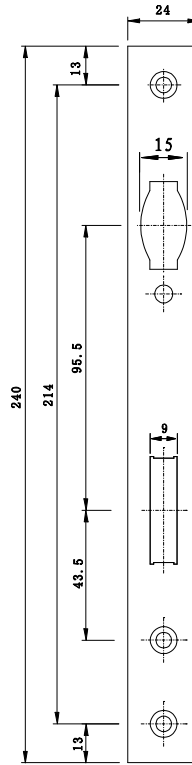
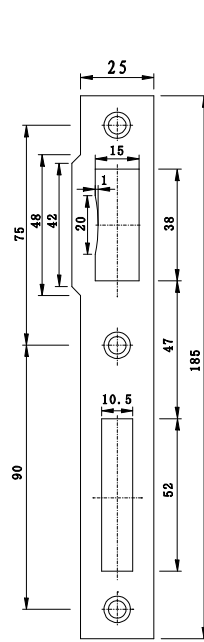
HSK[®]
Project locks

Roller lock

H72Z Series



F

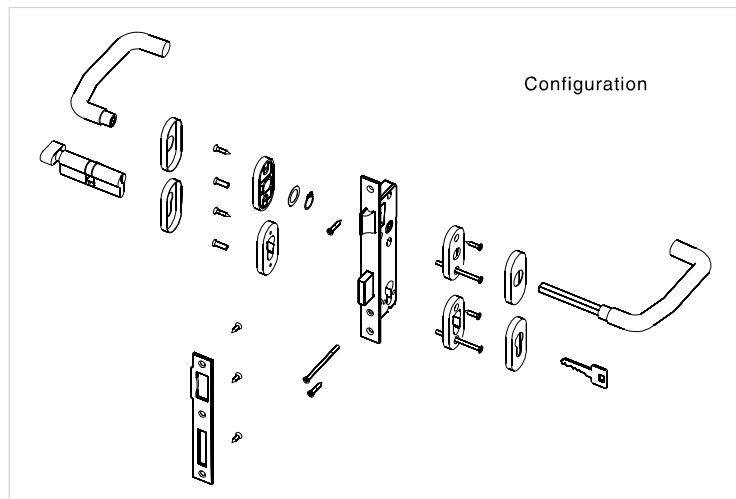


PZ = Profile cylinder
(DIN 18252)

- Type: 3092ZR
 3592ZR
 3085ZR



BEIJING HSK TECHNOLOGY CO., LTD
 www.hsklock.com Email: info@houselock.com.cn TEL: 0086-10-85386092



HSK
Project locks