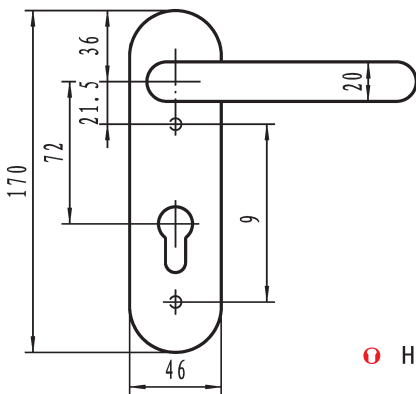


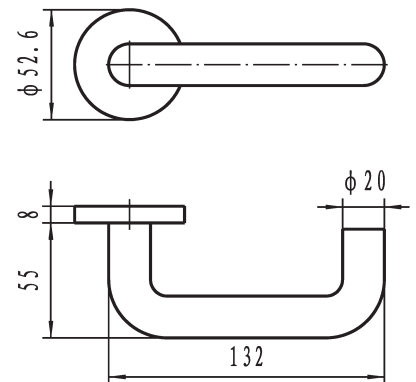


H70203-Blue

- 把手型号
- The available types of handle



H70203



H70003

- HSK 尼龙把手具有独特的工业风格，绚丽的自然色彩和极强的适应性，可用于不同材质，不同颜色的门！
- HSK nylon products have its own characteristic, They can be used in different material and different
- 通过EN 1906标准检测
- 通过DIN 18257/DIN 18273防火标准检测
- 是用于公共建筑等高频使用环境
- 200,000次循环测试
- 高度耐腐蚀性
- 复位弹簧结构
- Conform to EN 1906
- Tested acc. to DIN 18257/DIN 18273 (fire-rated version)
- High frequency of use for public building
- 200,000 test cycles
- High corrosion resistance
- With sliding bearing technology



磨砂 Rough surface

- 磨砂 Rough surface

- 亮光 Smooth surface

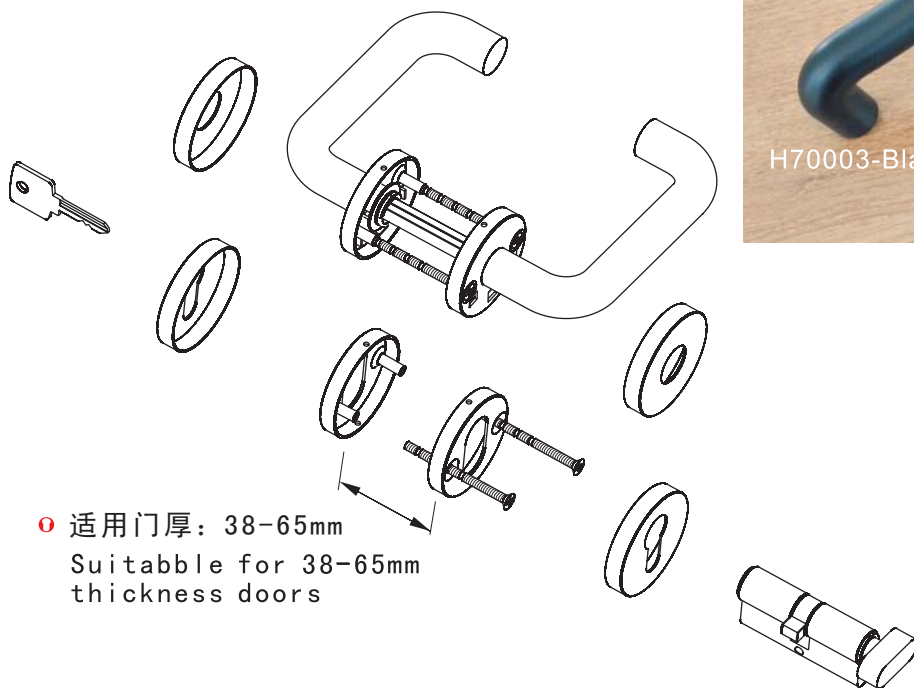
- 标准颜色 Standard colour



White Black Blue Yellow Red



亮光 Smooth surface



● 适用门厚: 38-65mm  
 Suitable for 38-65mm  
 thickness doors



H70003-Black



● 内部钢衬  
 Steel lining

● Packaging  
 Inner box size: 185X100X60 (mm)  
 G. W: 0.55Kg

● QTY: 36pcs/ctn  
 CTN size: 390X380X330(mm)  
 G.W: 20Kg

