

# Standard lock

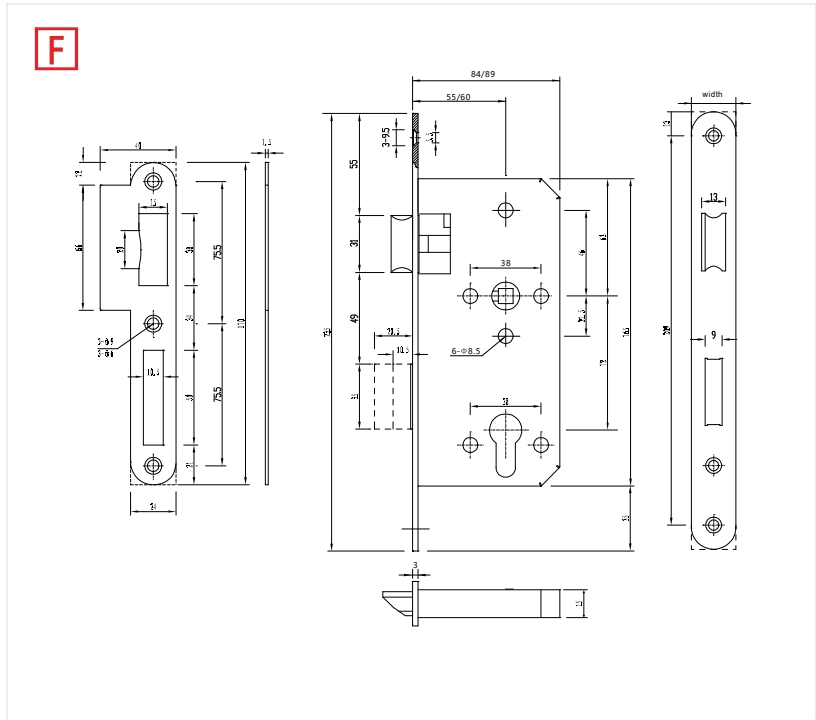
Mortise Lock Reversible, complying with DIN 18250, class 3,



Follower 8X8



PZ = Profile cylinder (DIN 18252)



### Type

- H5572ZN
- H6072ZN

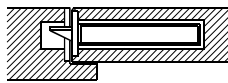
## H72ZN Series

Classification EN 12209

### Features

- According to DIN 18.250 class 3
- For wooden or steel doors with CE certificate  
Lock case size DIN 18251-1, closed case with sleeves,
- Suitable for external fire or smoke protection doors
- Prepared for profile cylinders
- With key action
- Deadbolt 2-turns

### Door Type



profile of a non rebated door with mortise lock  
(forend protruding on one side)

### Technical Data

- Follower 8X8mm
- Distance 72mm
- Backset 55mm 60mm

### Forend

- Type round head, square head
- Thickness 3mm
- Width 20, 22, 24mm

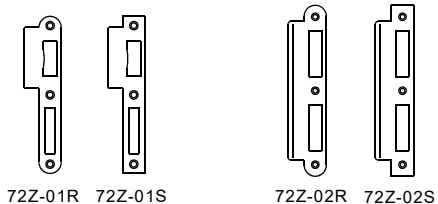
### Forend finish

- Stainless steel SSS PSS PVD

### Accessories

- Striking plate
- Pocket
- Lock and strike plate fixing screws

### Strike Plate Type



**HSK**<sup>®</sup>  
Project locks



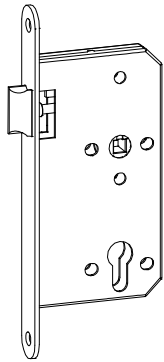
BEIJING HSK TECHNOLOGY CO.,LTD  
www.hsklock.com Email:info@houselock.com.cn TEL: 0086-10-85386092

H72ZN Series

# Standard lock

Mortise lock reversible

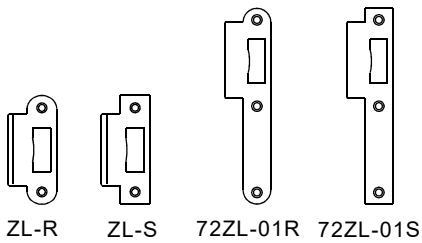
H72ZN Series



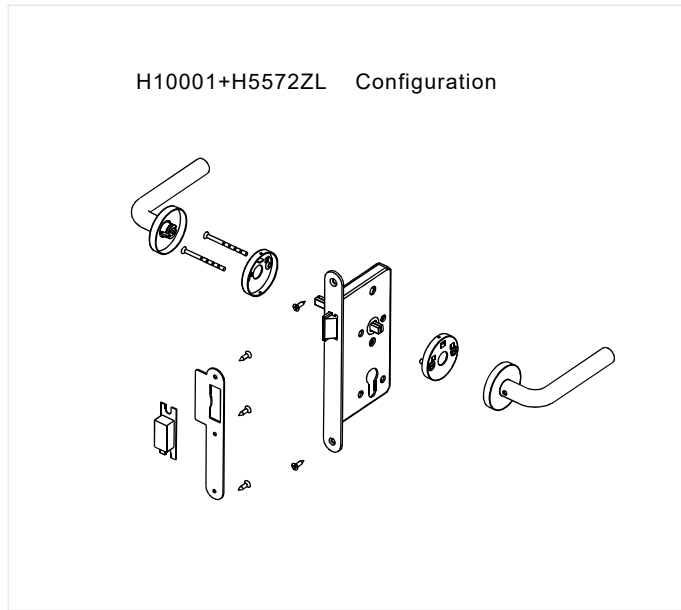
**Type**

- H5572ZNL
- H6072ZNL

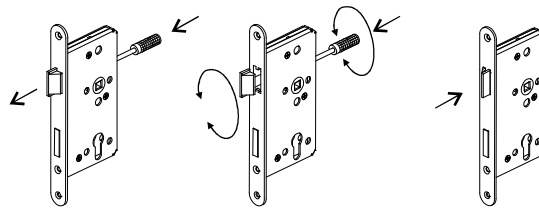
**Strike plate type**



ZL-R    ZL-S    72ZL-01R    72ZL-01S

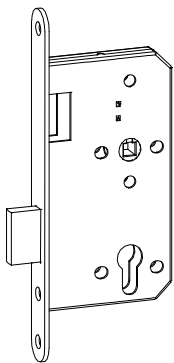


## Latch Bolt Lock



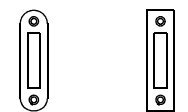
**Reverse left/right hand**

## Dead Bolt Lock

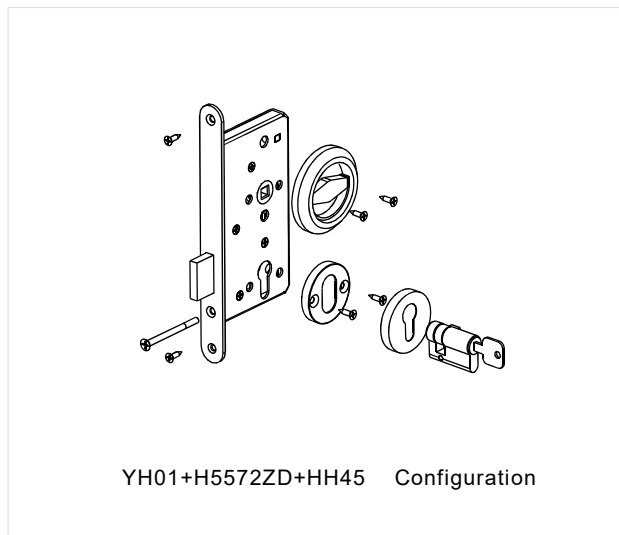


**Type**

- H5572ZND
- H6072ZND



ZD-R    ZD-S



YH01+H5572ZD+HH45 Configuration



BEIJING HSK TECHNOLOGY CO.,LTD  
 www.hsklock.com    Email:info@houselock.com.cn    TEL: 0086-10-85386092

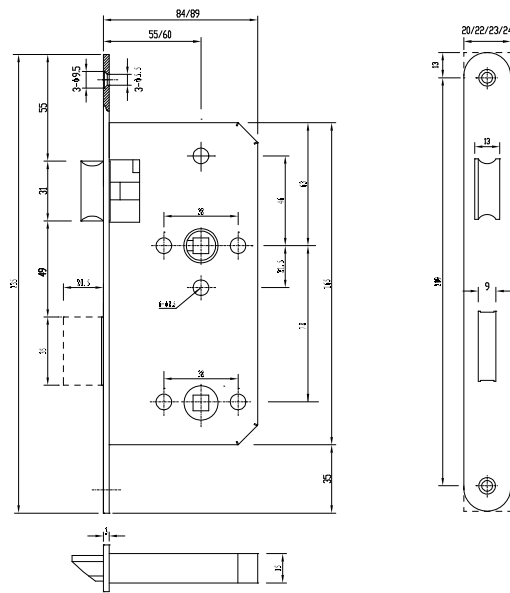
H72ZN Series



Followers 8-8



F



**Type**

- H5578ZN
- H6078ZN

**Technical data**

- Followers 8-8/6/5mm 9-8/6/5mm
- Distance 78mm
- Backset 55mm 60mm 65mm

**Forend**

- Type round head, square head
- Thickness 3mm
- Width 20, 22, 24mm

**Forend finish**

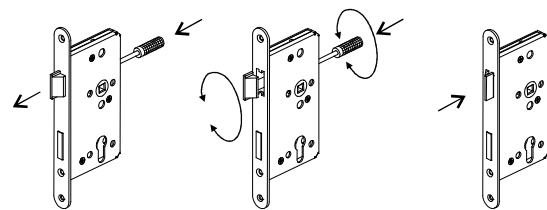
- Stainless steel SSS PSS PVD

**Accessories**

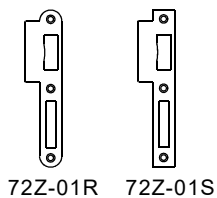
- Striking plate
- Pocket
- Lock and strike plate fixing screws

**Features**

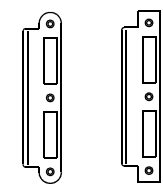
- According to DIN 18.250 class 3
- For wooden or steel doors with CE certificate Lock case size DIN 18251-1, closed case with sleeves,
- For bathroom doors
- With turn knob action
- Deadbolt 1-turns



**Strike plate type**

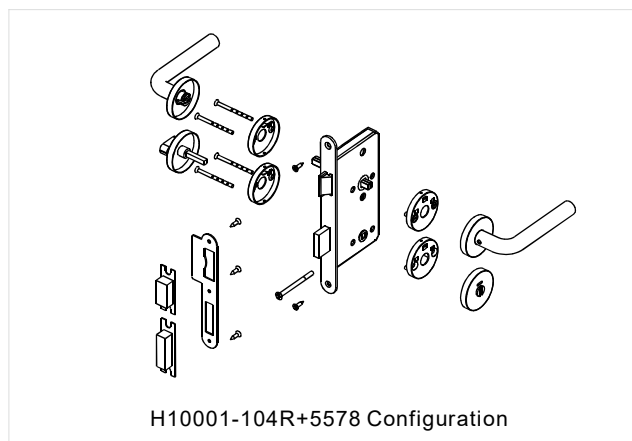


72Z-01R 72Z-01S



72Z-02R 72Z-02S

**Reverse left/right hand**



H10001-104R+5578 Configuration

# Latch Bolt Lock reversible

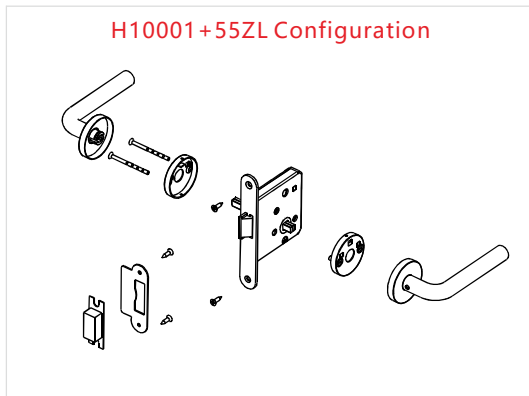
## H72ZN Series

### Features

- According to DIN 18.250, class 3
- For wooden or steel doors
- Optional for non-rebated doors
- Suitable for external fire and smoke protection doors



Follower 8X8

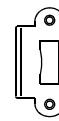


H10001+55ZL Configuration

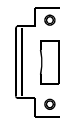


○ Type:  
H55ZNL □

### ○ Strike plate type



ZL-R



ZL-S

### Technical data

- Follower 8X8mm
- Backset 55mm

### Forend

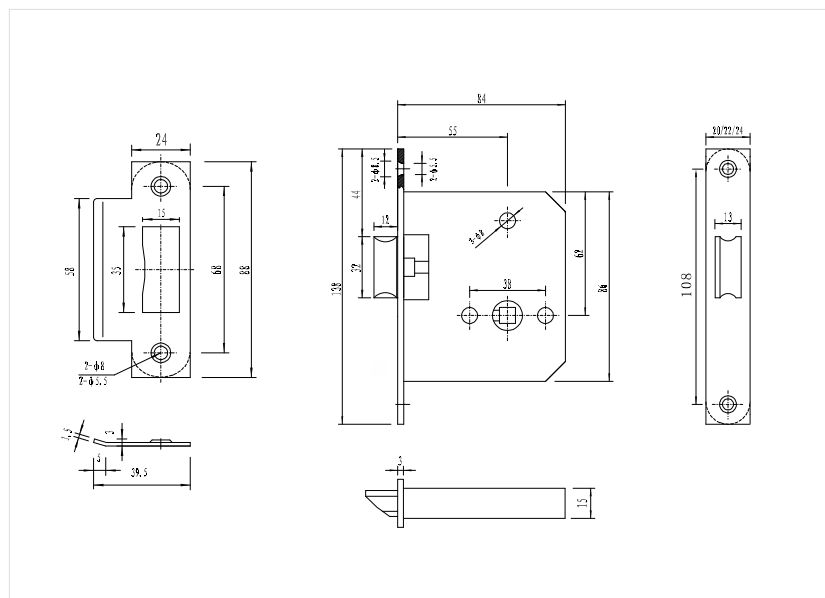
- Type round head, square head
- Thickness 3mm
- Width 20, 22, 24mm

### Forend finish

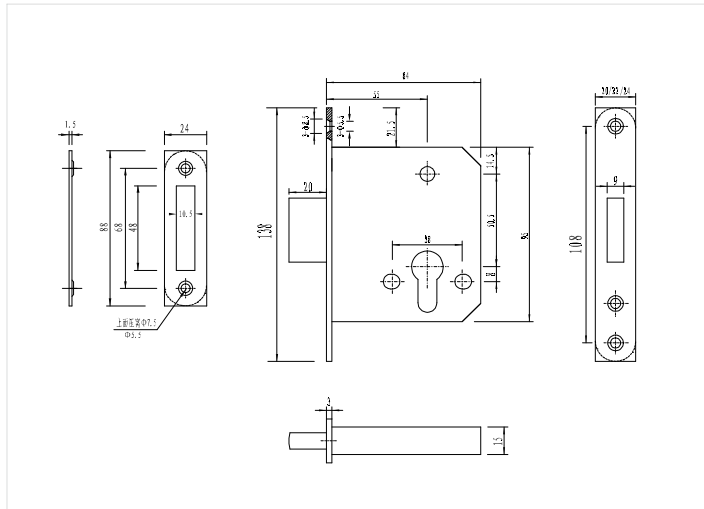
- Stainless steel SSS PSS PVD

### Accessories

- Striking plate
- Pocket
- Lock and strike plate fixing screws



**HSK**<sup>®</sup>  
Project locks



**F**



**Type:**  
H55ZND □

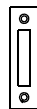


PZ = Profile cylinder  
(DIN 18252)

**Strike plate type**



ZD-R



ZD-S

### Features

- According to DIN 18.250 class 3
- For wooden or steel doors
- Optional for non-rebated doors
- Suitable for external fire and smoke protection doors
- Prepared for profile cylinders
- With key action
- Deadbolt 2-turns

### Technical data

- Backset 55mm

### Forend

- Type round head, square head
- Thickness 3mm
- Width 20, 22, 24mm

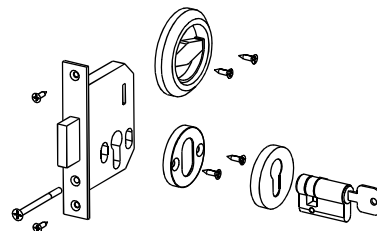
### Forend finish

- Stainless steel SSS PSS PVD

### Accessories

- Striking plate
- Pocket
- Lock and strike plate fixing screws

### YH01+55ZD+HH45 Configuration



### CH02+55ZD+HH45 Configuration

