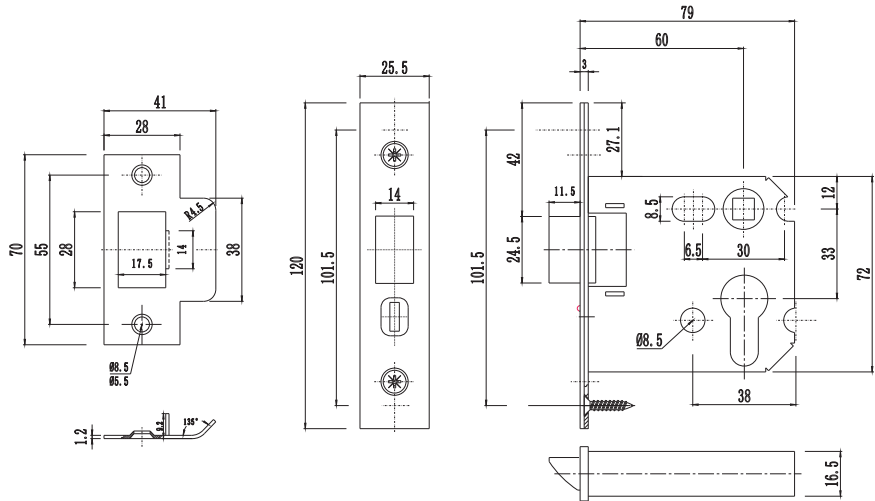


Features

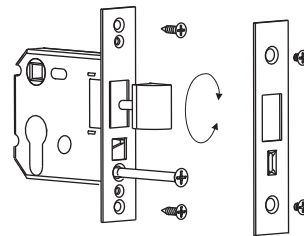
- ① For wooden or steel doors
- ① Optional for non-rebated doors
- ① Suitable for fire and smoke protection doors
- ① Prepared for profile cylinders
- ① With key action



Type: 6033EL □



① Reverse left/right hand



Technical data

- ① Follower 8X8mm
- ① Distance 33mm
- ① Backset 60mm

Forend

- ① Type square ends
- ① Thickness double forend 1.5mm+1.5mm
- ① Width 25.4mm

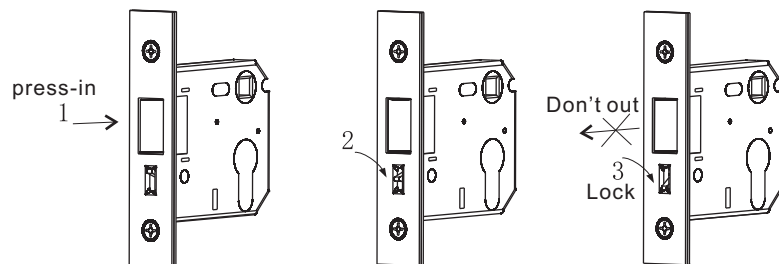
Forend finish

- ① Stainless steel SSS PSS PVD

Accessories

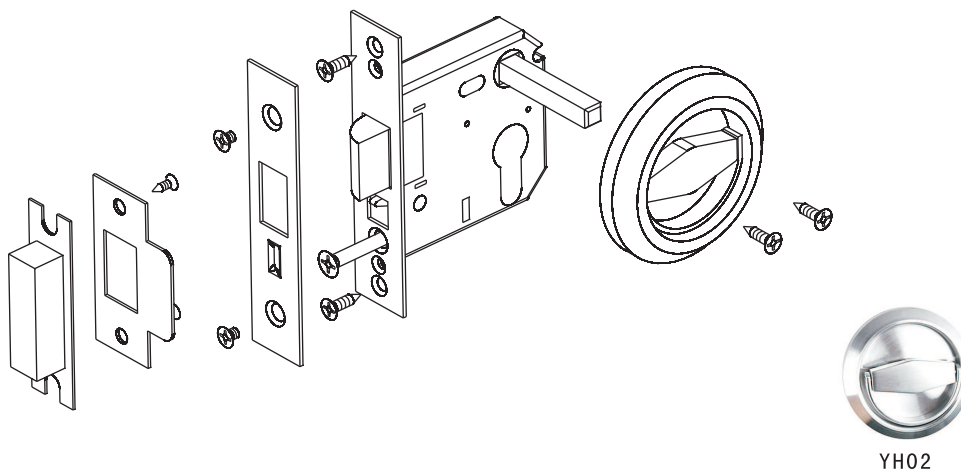
- ① Striking plate
- ① Pocket
- ① fixing screws

① Lock latch bolt



ENGLISH STANDARD SECURITY LATCH BOLT LOCK

Configuration 1



Features

- The flush ring handle retracts the spindle and latchbolt

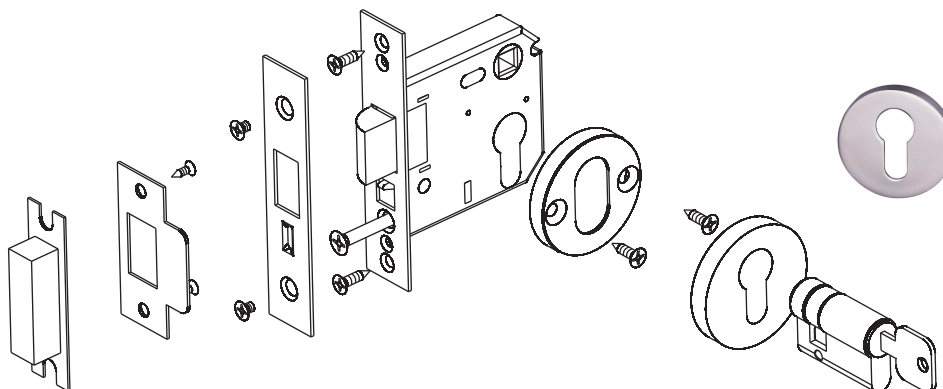


Follower 8X8



PZ = Profile cylinder
(DIN 18252)

Configuration 2



Features

- The cylinder retracts the latchbolt